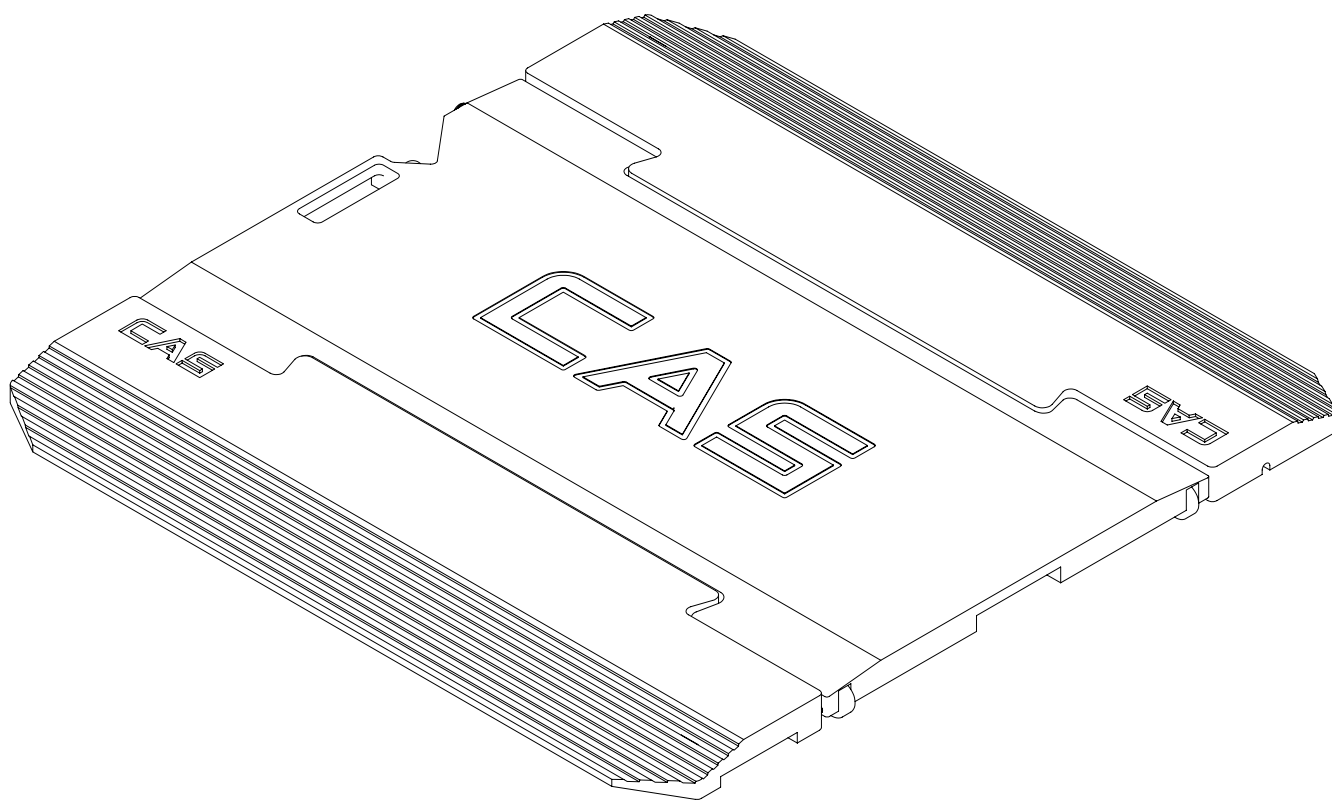


Road Weigher

MODEL : RW - P Series

OWNER'S MANUAL



CAS



*** * * Table of Contents * * ***

1. PREFACE	2
2. FEATURE	3
3. SPECIFICATIONS	7
◆ OVERVIEW		
◆ DIMMENSION		
◆ PRODUCT SPECIFICATION		
4. APPLICATION OF DUMMY PLATE	8
5. USAGE OF CONNECTOR & ROLLER	9



1. PREFACE

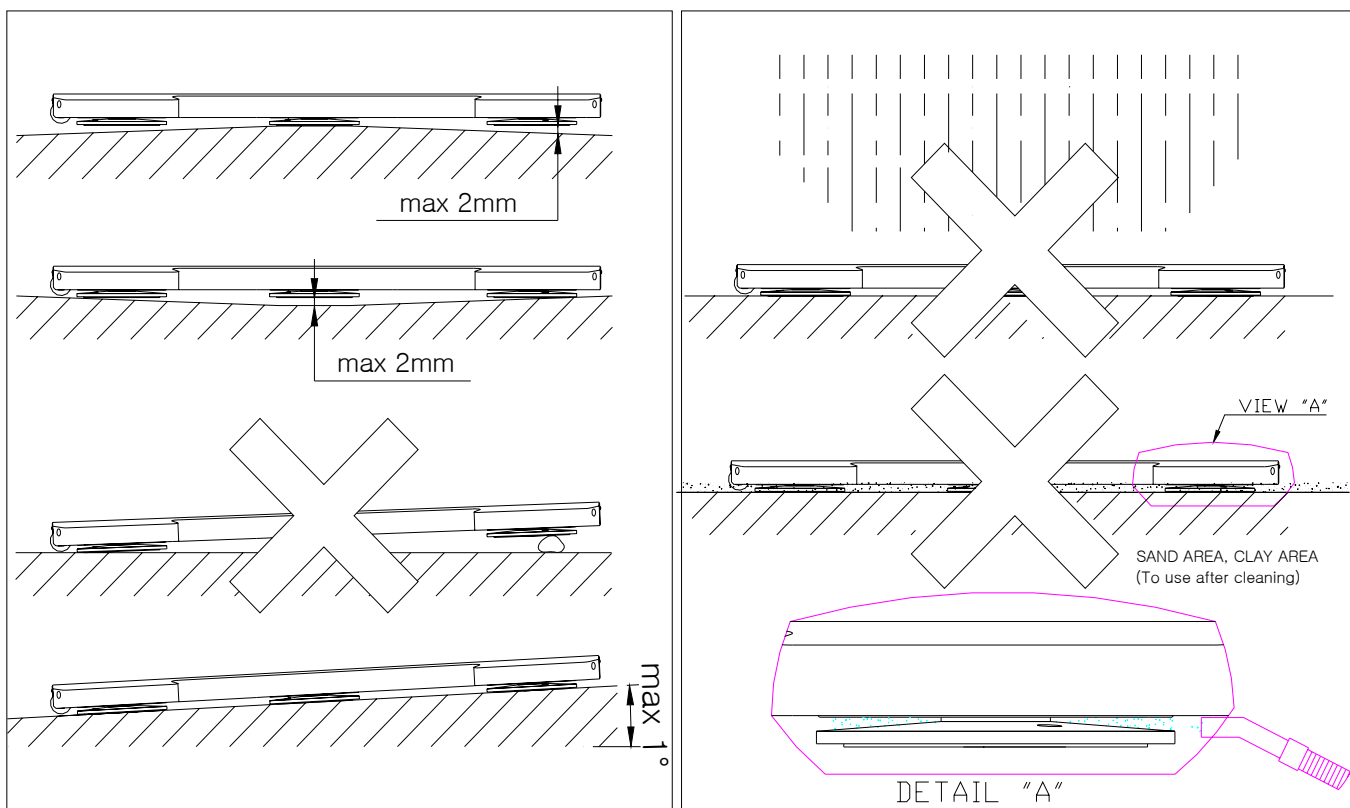
We greatly appreciate your purchase of CAS Road Weigher, which is used for displaying the value of weight loaded on each shaft of vehicle.

These goods have hold excellent performance and splendid properties through strike tests as well as devoting ourselves under severe quality management.

Before using road Weigher, It is recommended to read this manual carefully and to apply the function application fully.

■ CAUTIONS

- ◆ Avoid sudden temperature change.
- ◆ Keep it in dry place.
- ◆ Use this product the place where the ground is flatness and hardness
- ◆ Don't use this product when it is raining
- ◆ Keep out of muddy area and sandy area
- ◆ When the sands get in the gap between loadcell and fodt, remove to use air cleaner





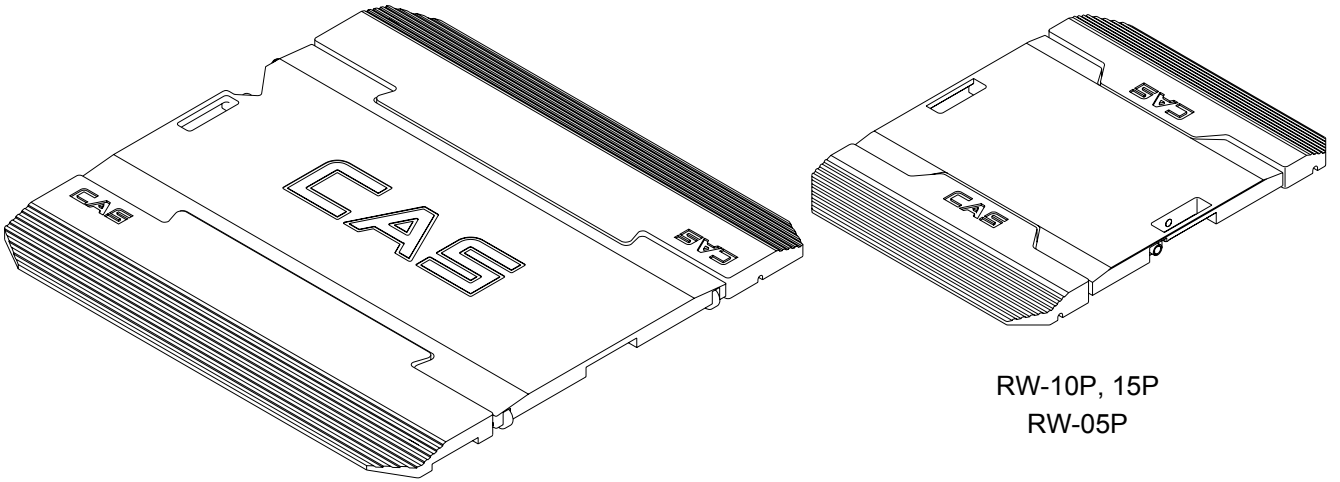
2. FEATURE

- ◆ Slim(height 40mm) type
- ◆ built in high accuracy load cell



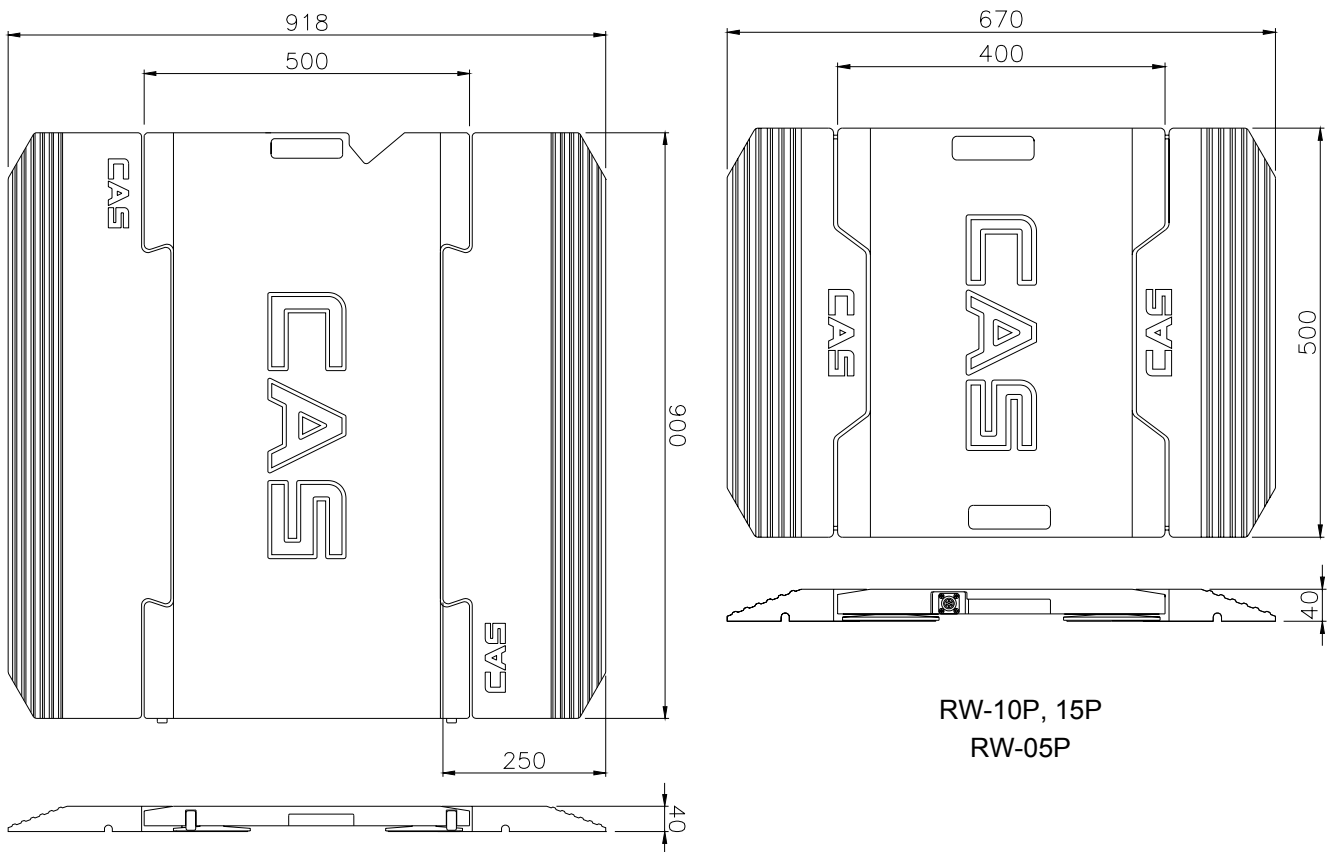
3. SPECIFICATION

◆ OVERVIEW



RW-10P, 15P
RW-05P

◆ DIMENSION



RW-10P, 15P
RW-05P

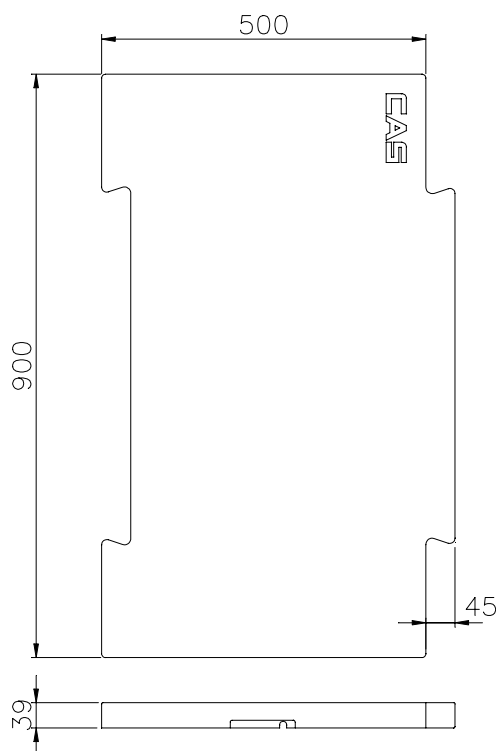


◆ **PRODUCT SPECIFICATION**

MODEL	RW-01P	RW-05P	RW-10P	RW-15P
Max	1,000kg (2,000lb)	5,000kg (10,000lb)	10,000kg (20,000lb)	15,000kg (30,000lb)
Division	0.5kg (1lb)	2kg (5lb)	5kg (10lb)	10kg (20lb)
Accuracy	1%			
Size	L×W	500×400 (19.7"×15.7")		900×500 (35.4"×19.7")
	H	40 (1.6")		
WEIGHT	15.8kg (RAMP : 1.9kg X 2EA)		30.2kg (RAMP : 6.4kg X 2EA)	

◆ **OPTION**

- 1) Dummy Plate
 - material : Rubber (NBR)
 - Reference : page 6





4. Application of Dummy Plate

Classification			first weighing	2nd weighing	3rd weighing	4rd weighing
	Q'TY	ACCURACY				
2 AXLE	PLATE: 2EA	$\pm 0.1 \sim 0.3\%$				
	PLATE: 4EA	$\pm 0.1\%$				
3 AXLE	PLATE: 2EA DUMMY: 12EA	$\pm 0.5 \sim 1.0\%$				
	PLATE: 4EA	$\pm 0.1 \sim 0.3\%$				
	PLATE: 6EA	$\pm 0.1\%$				
4 AXLE	PLATE: 2EA DUMMY: 12EA	$\pm 0.5 \sim 1.0\%$				
	PLATE: 4EA	$\pm 0.1 \sim 0.3\%$				
5 AXLE	PLATE: 2EA DUMMY: 12EA	$\pm 0.6 \sim 1.2\%$			
	PLATE: 6EA	$\pm 0.1 \sim 0.3\%$				

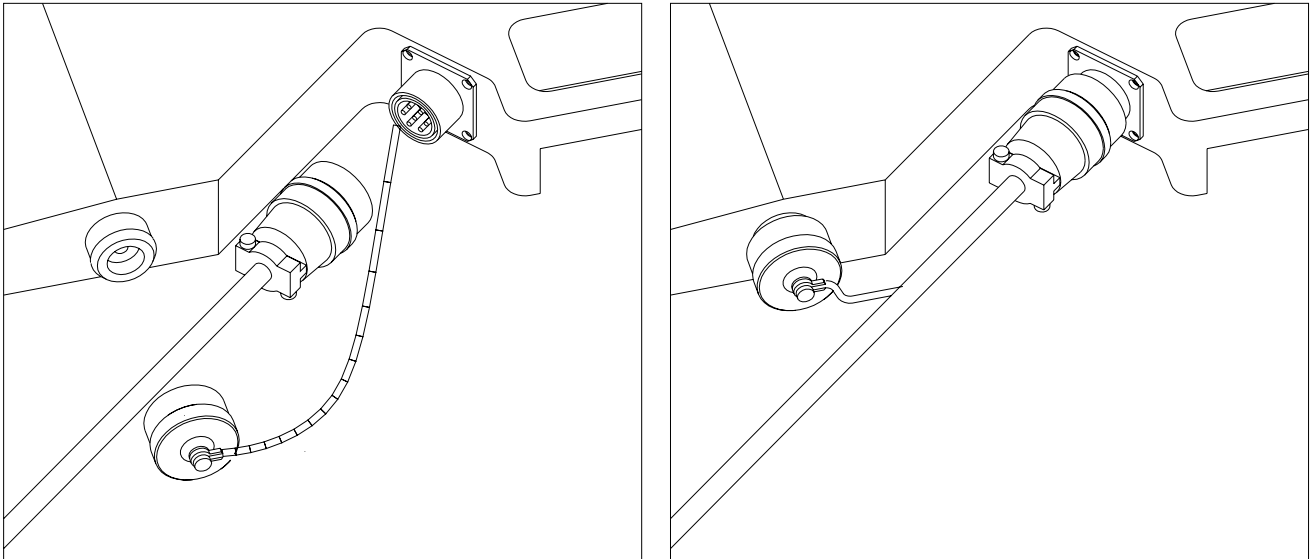
(The ground condition : flatness , hardness , zero declination of close axis)

* Application data of dummy plate is possible to be changed according to the ground condition and vechile condition(old vechile' occasion)



5. Usage of Connector & Roller

◆ connection of connector



◆ moving roller (RW-10P,15P)

