

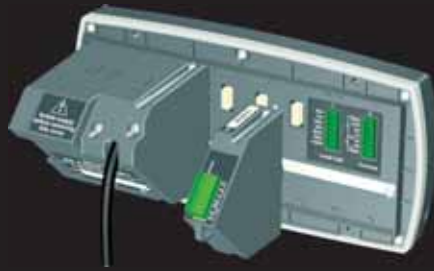
# SERIES

# R420



# rinstrum

## MODULAR WEIGHT INDICATORS



R420 panel mount rear showing optional modules

### OPTIONAL MODULES

Serial	M4201	RS232/RS232 Isolated
	M4202	RS232/RS485 Isolated
	M4203	RS485/RS485 Isolated
I/O	M4301	8 I/O Isolated
	M4302	4 Button Input
Analogue	M4401	0-10V/4-20mA, 2 I/O, Isolated
VAC	M4101	Power Supply Unit

## SMART WEIGHING SOLUTIONS

## R I N S T R U M B E N E F I T S

### H A R D W A R E

- LARGE multi-line display
- 12-24VDC input (VAC optional)
- 4 layer surface mount PCB
- 24 bit Sigma-Delta A/D
- Transorbs on all L/C connections
- On-board dual serial ports
- Clock/calendar/ram
- Panel, desk & wall mountings

### F U N C T I O N A L I T Y

- Fully configurable setup
- Programmable function keys
- Software counter (digital trade sealing)
- Direct mV/V cal data entry
- rin-LINK compatible
- "Quality Assurance Due" reminders
- Optional application softwares
- Flash ROM

### S O F T W A R E

- Custom serial strings
- Custom printing/reports
- 10 point linearising
- rin-VIEW PC software
- Single & dual ranging/intervals
- Conversion factors, unit switching
- Totalising, hold & peak hold
- Counting, security passcodes



CLOCK/CALENDAR/MEMORY



TOTALISING



HIGH/LOW LEVEL CONTROL



lb/kg SWITCHING



PEAK HOLD



COUNTING



LED BACKLIGHTING



rin-LINK



rin-FLASH



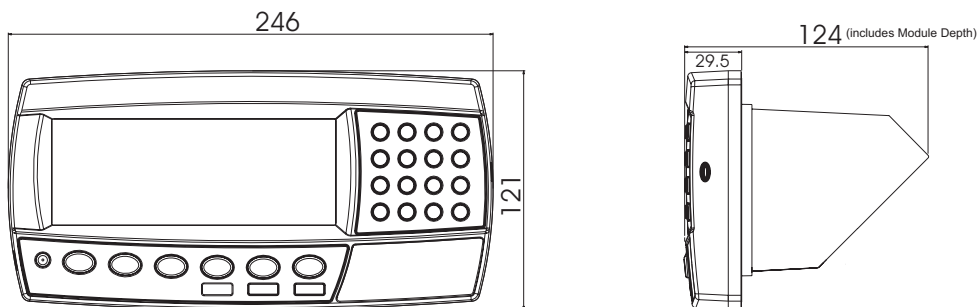
rin-VIEW



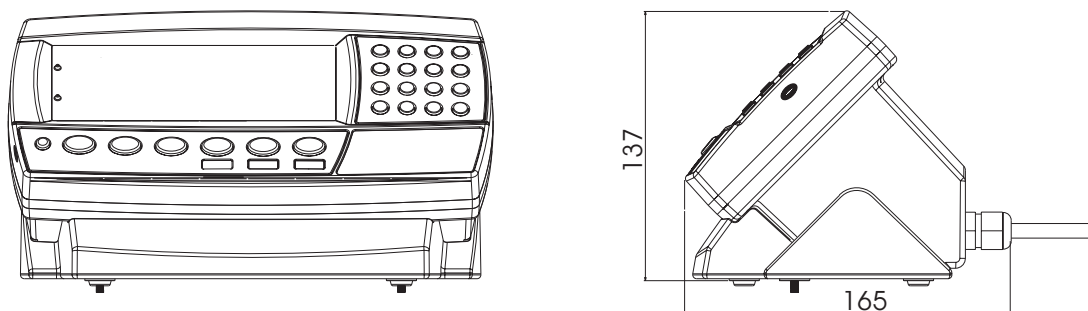
rin-BLOC

**R420 SERIES**

**PANEL MOUNT VERSIONS SHOWN**



**DESK MOUNT VERSIONS SHOWN**



**Performance**

Resolution	Up to 100,000 divisions, minimum of 0.15µV/division, 50 updates/second
Approvals	CE, FCC, C-Tick Approved. OIML, NSC & NTEP Pending
Zero Cancellation	2.0mV/V
Span Adjustment	0.1mV/V to 3.0mV/V full scale
Stability/Drift	Zero: < 0.1µV/°C (+ 8ppm of deadload max) Span < 8 ppm/°C, Linearity < 20ppm, Noise < 0.2µVp-p
Excitation	7.4 volts for up to 16 x 350 (4-wire or 6-wire plus shield) Maximum total load cell resistance: 2,200 Ohms
A/D Type	24bit Sigma Delta with 8,388,608 internal counts
A/D Conversion Rate	50Hz with FIR filtering > 80dB
Operating Environment	Temperature: -10 to +50°C ambient, Humidity: <90% non-condensing Storage: -20 to +50°C ambient, Sealing: IP55
Case Materials	R420: ABS, Silicon Rubber, Nylon, Acrylic (no halogen used)

**Digital**

Display	LED backlit semi-alpha LCD using four separate data lines with main digits 28.4mm high
Setup and Calibration	Full digital with visual prompting in plain messages.
Digital Filter	Sliding window average from 0.02 to 30.00 seconds
Zero Range	Adjustable from 2% to 20% of full capacity

**Power Input**

Standard Power Input	12 to 24VDC (12 VA max) - ON/OFF key with memory feature	
Variants	AC Power	AC power supply module: 110/240VAC 50/60Hz 12VA
	Battery	Rechargeable NiMH battery pack with integrated charger circuit and external AC plug pack.

**Features**

rin-LINK Data Coupling	Infra-red connector for optional rin-LINK PC cable (to RS232 PC port)
Standard Features	Ten point linearity correction RS232 automatic transmit, network or printer outputs. RS485 transmit only Three assignable function keys: Printing, Unit Switching, Counting, Manual Hold, Peak Hold, Totalizing, Product Selection, Conversion Factors and more for optional releases. Programmable printing Multi-line display with operator selectable information views Battery backed calendar (battery life 10 years minimum) Support for the full range of M4 accessories including additional communications, I/O, DSD, and analogue output functions. Support for a maximum of four M4 accessories but only one of each type per instrument.

