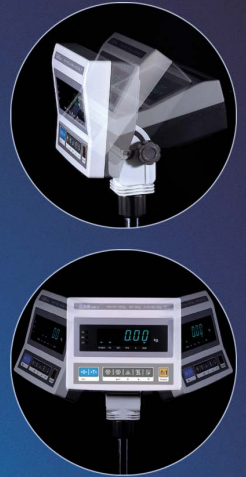


DB series

Bench Scale

The most versatile scale just got better with more advanced features you need.

New DB- II with pivoting large display is designed to provide the users with ease of use and flexibility. DB- II has more advanced function and features such as percentage weighing, counting, cumulative weight sum modes and the weighing comparison. Let DB- II be your total solution in your weighing environment.



CAS
S • C • A • L • E

DB series

Bench Scale



VFD & LCD display

DB-II is equipped with large 20mm display. User will have no trouble seeing the displayed information at a distance.

VFD or LCD display is available.



Pivot / Tilt indicator

Now you can move the indicator box in all directions to have the best viewable angle.

Indicator can be detached for the wall mount.

Weighing function

- General Weighing Mode
- Tare / Hold
- Percentage Weighing Mode
- Counting Mode
- Cumulative Weight Sum Mode
- Weighing Comparison (HI/LOW/OK)

Specifications

MODEL	DB-II	DB- IIF
Capacity	6, 15, 30, 60, 150, 300kg	60, 150, 300kg
Display	LCD	VFD
Function Designator	STABLE, ZERO, HOLD, NET, HI/OK/LO, %, PCS, SUM, Low Battery	
Resolution	Dual Interval 1/3,000~1/7,500	
Interface	RS232	
Power	<ul style="list-style-type: none"> ■ DC 9V Adaptor / Dry battery ■ Rechargeable (option) 1) Ni-CD Battery : DC 12V850mA Adaptor 2) PB Battery : DC24V 1A Adaptor 	AC 220V, 50/60 Hz or AC 110V, 50/60 Hz
Operating Temperature	-10 °C~ +40 °C	
OIML	Pending	Approved
Option	· Back light · Printer (DEP-50) · R/C Battery · Wall bracket	· Printer (DEP-50) · Wall bracket

Capacity & Dimenson

Capacity	6kg	15kg	30kg	60kg	150kg	300kg
Resolution	3kg / 0.001kg	6kg / 0.002kg	15kg / 0.005kg	30kg / 0.01kg	60kg / 0.02kg	150kg / 0.05kg
	6kg / 0.002kg	15kg / 0.005kg	30kg / 0.01kg	60kg / 0.02kg	150kg / 0.05kg	300kg / 0.1kg
Platter size (W' xD')	280 x280 mm			420 x510 mm		500 x645 mm
Product size (W xD xH)	280 x370 x560 mm			420 x635 x765 mm		500 x725 x765 mm
Product weight	5kg			14kg		24kg

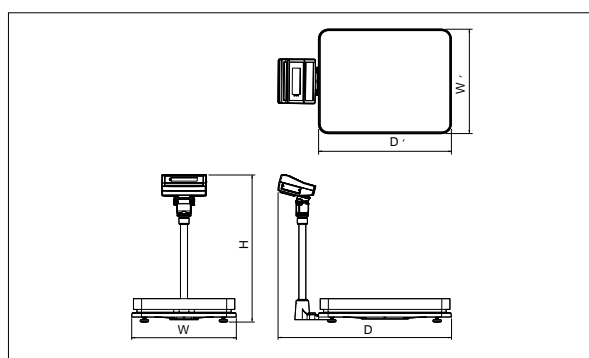
Printing

Print every weighing modes with real time stamp using CAS DEP-50.

DB-II is also compatible with many serial printers.



Dimensions



CAS BLDG., # 440-1, SUNGNAE-DONG,
GANGDONG-GU, SEOUL, KOREA
TEL : 82 - 2 - 2225 - 3500
FAX : 82 - 2 - 475 - 4668
<http://www.cas.co.kr>

Specifications are subject to change for improvement without prior notice.