



## FEATURES

- Stainless steel construction
- OIML C3 approved (OIML R60)
- Protection class IP67

## OPTIONS

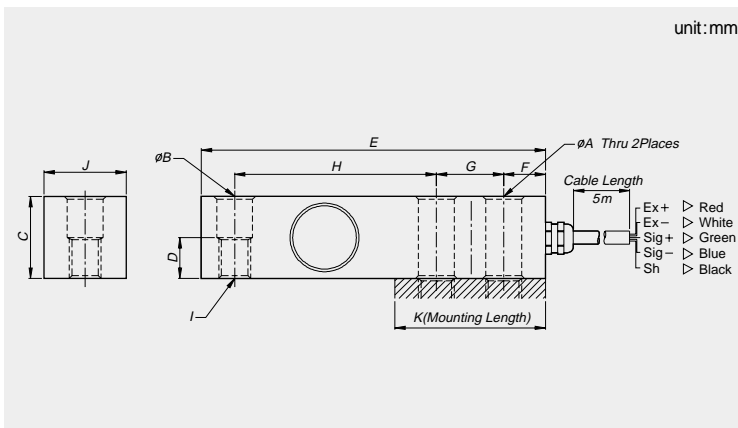
- OIML C3 approved
- Ex s II T4 approved



## SPECIFICATIONS

|                               |        |                         |       |
|-------------------------------|--------|-------------------------|-------|
| Max. capacity                 | kgf    | 500, 1tf, 2tf, 3tf, 5tf |       |
| Rated output                  | mV/V   | 2.0 ± 0.005             |       |
| Zero balance                  | mV/V   | 0 ± 0.02                |       |
| Accuracy class                |        | D3                      | C3    |
| Combined error                | %      | 0.03                    | 0.025 |
| Repeatability                 | %      | 0.01                    | 0.01  |
| Creep for 30 min.             | %      | 0.03                    | 0.017 |
| Temperature effect on         |        |                         |       |
| Zero Value                    | %/10°C | 0.028                   | 0.014 |
| Output value                  | %/10°C | 0.014                   | 0.011 |
| Excitation                    |        |                         |       |
| Recommended                   | V      | 10                      |       |
| Maximum                       | V      | 15                      |       |
| Resistance                    |        |                         |       |
| Input                         | Ω      | 350 ± 3.5               |       |
| Output                        | Ω      | 350 ± 3.5               |       |
| Insulation                    | MΩ     | > 2,000                 |       |
| Compensated temperature range | °C     | -10 to +40              |       |
| Operating temperature range   | °C     | -30 to +80              |       |

## DIMENSIONS



## Material

Stainless Steel

## Mounting

| Capacity     | Hexagon head-Bolt | Tightening torque |
|--------------|-------------------|-------------------|
| 500kgf - 2tf | M12 × 1.75(10.9)  | 100Nm             |
| 3tf - 5tf    | M18 × 1.5(10.9)   | 350Nm             |

## Cable

Braided shield 4-wire round cable with Urethane-jacket

## Mounting Accessory

BSS-TW

| Model    | Capacity | A    | B    | C    | D    | E     | F    | G    | H    | I          | J    | K    |
|----------|----------|------|------|------|------|-------|------|------|------|------------|------|------|
| BSS-500L | 500kgf   | 13.5 | 13.5 | 31.7 | 15.8 | 130   | 15.8 | 25.4 | 76.2 | M12 × 1.75 | 31.7 | 52   |
| BSS-1    | 1tf      |      |      |      |      |       |      |      |      |            |      |      |
| BSS-2    | 2tf      |      |      |      |      |       |      |      |      |            |      |      |
| BSS-3    | 3tf      | 20.0 | 20.0 | 38.1 | 19.1 | 171.5 | 19.0 | 38.1 | 95.3 | M18 × 1.5  | 38.1 | 76.2 |
| BSS-5    | 5tf      |      |      |      |      |       |      |      |      |            |      |      |