

# SK-WP Bench Scale



**Stainless Steel Enclosure and Pan**

**Dust and Waterproof Protected to IP-65 standards**

**The Perfect Choice for Kitchens, Food Preparation, Portion Weighing**

**Portable Operation - Powered by 6 x 'D' Size Batteries**

**Capacities from 1kg to 20kg**

**Clearly a Better Value...**

**from**

**AND**  
A&D MERCURY PTY. LTD.

# SK-WP Specifications



Model	Capacity & Resolution
SK-1000WP	1000g x 0.5g
SK-2000WP	2000g x 1g
SK-5000WP	5000g x 2g
SK-5001WP	5000g x 1g
SK-10KWP	10kg x 0.005kg
SK-20KWP	20kg x 0.01kg

Model	SK-1000WP	SK-2000WP	SK-5000WP	SK-5001WP	SK-10KWP	SK-20KWP
Capacity/Resolution	1000 x 0.5g	2000 x 1g	5000 x 2g	5000 x 1g	10k x 0.005kg	20k x 0.01kg
Linearity	+/- 1g	+/- 2g	+/- 4g	+/- 4g	+/- 0.01kg	+/- 0.02kg
Repeatability	+/- 0.5g	+/- 1g	+/- 2g	+/- 2g	+/- 0.005kg	+/- 0.01kg
Display	25mm 7 Segment Liquid Crystal Display					
Pan Size	232mm (W) x 192mm (D)					
Battery Life (Approx.)	600 hours with manganese type; 1200 hours with alkaline cells at 20°C					
Operating Temperature	-10°C to +40°C					
Weight	2.9kg					3.2kg
Calibration Mass	1000g	2000g	5000g	5000g	10kg	20kg
Power Requirement	6 x 'D' size batteries (not supplied) or optional AC adaptor					

**Dust & Water Protected**

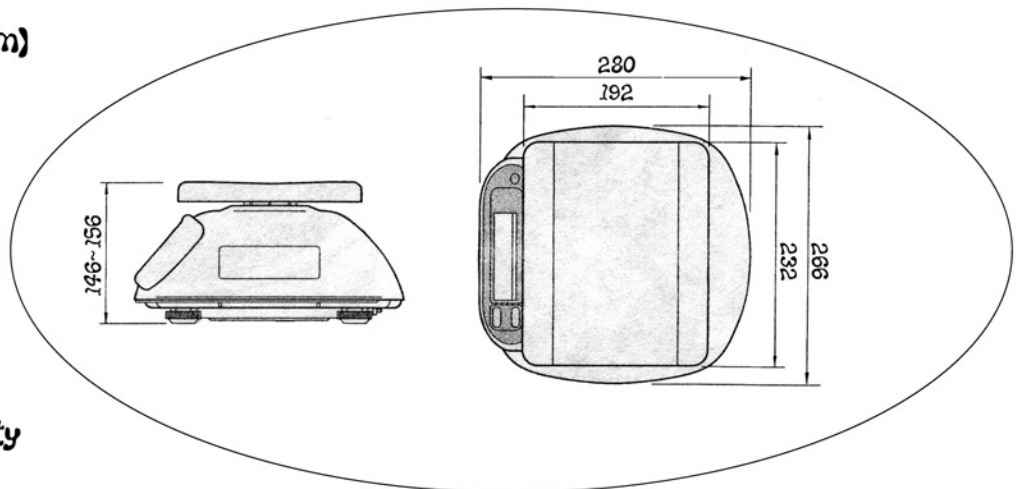
**Large, Clear LCD (25mm)**

**Auto Power Off**

**Portable**

**Optional AC adaptor**

**Net Weight and Stability Indicators**



**All dimensions are in millimetres**

**A&D**

A&D MERCURY PTY. LTD.  
ACN 007 556 809

Head Office  
32 Dew Street  
THEBARTON  
South Australia 5031  
Telephone (08) 8352 3033  
Facsimile (08) 8352 7409

Victorian Office  
Unit 4  
Cnr. Arden & Lloyd Streets  
KENSINGTON  
Victoria 3031  
Telephone (03) 9372 1522  
Facsimile (03) 9372 1193

New South Wales Office  
Unit 4  
14 Abbott Road  
SEVEN HILLS  
New South Wales 2147  
Telephone (02) 9674 5466  
Facsimile (02) 9674 2544

Email: [sales@andmercury.com.au](mailto:sales@andmercury.com.au)  
Internet page: <http://www.andmercury.com.au>

Your Dealer